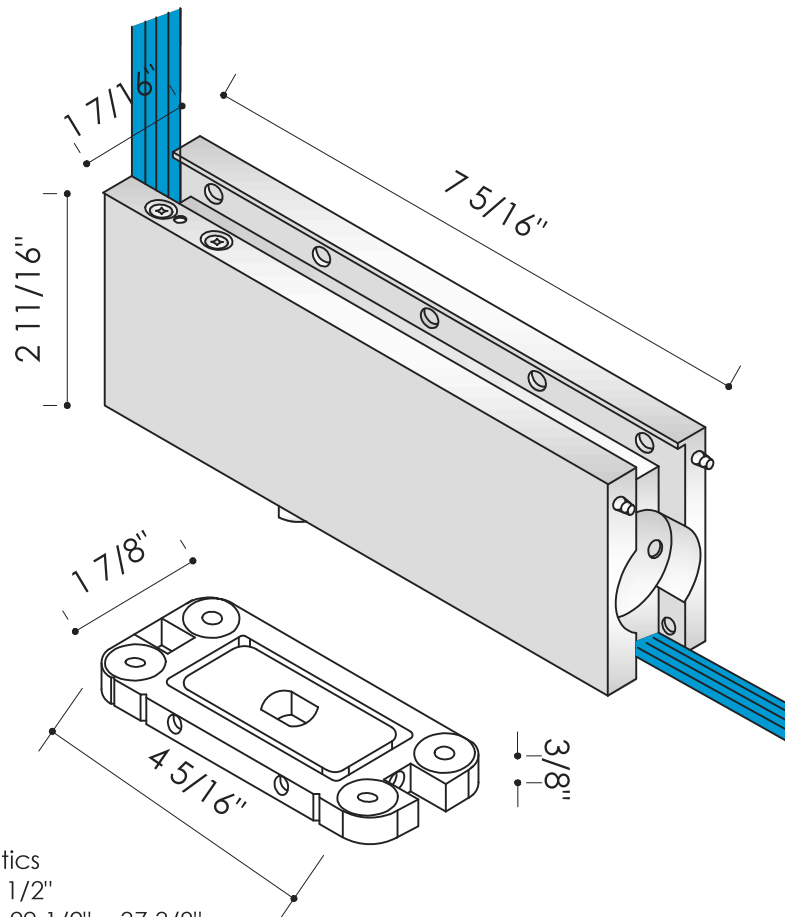
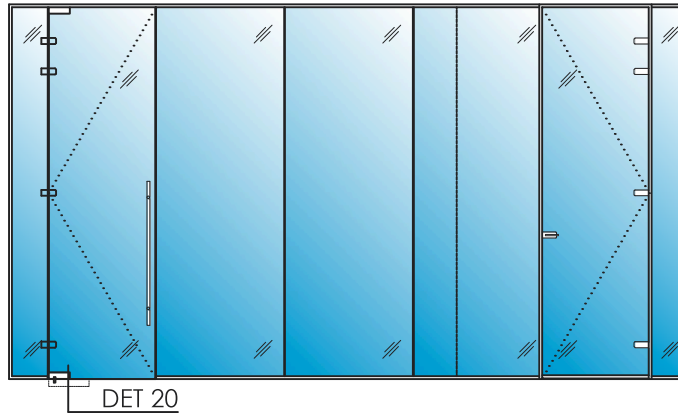




# Solare™ Acoustic Single Glazed Partition System Hydraulic Self-Closing Patch Fitting All Glass Openings



Hardware Characteristics  
Door Thickness: 5/16" - 1/2"  
Maximum Door Width: 29 1/2" - 37 3/8"  
Maximum Door Height: 102"  
Maximum Door Weight: 220 lbs  
Maximum Opening 150° and Controlled 135°  
Suitable for Fire/Smoke Doors up to 40 minutes

Finishes Available: Aluminum silver anodized (101), Aluminum similar satin stainless steel (107), Brass polished chrome (501), Brass polished (503)



200 Pemberwick Road  
Greenwich, CT 06831

T: (877) 282-6843  
F: (914) 934-5992  
W: [www.avantisystemsusa.com](http://www.avantisystemsusa.com)  
E: [sales@avantisystemsusa.com](mailto:sales@avantisystemsusa.com)