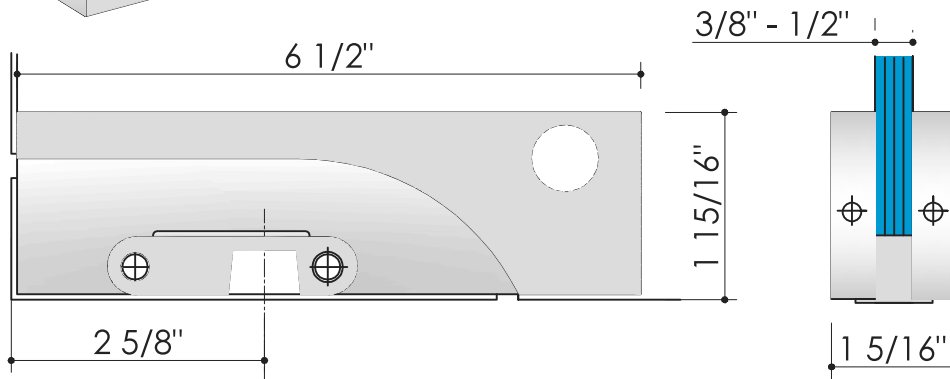
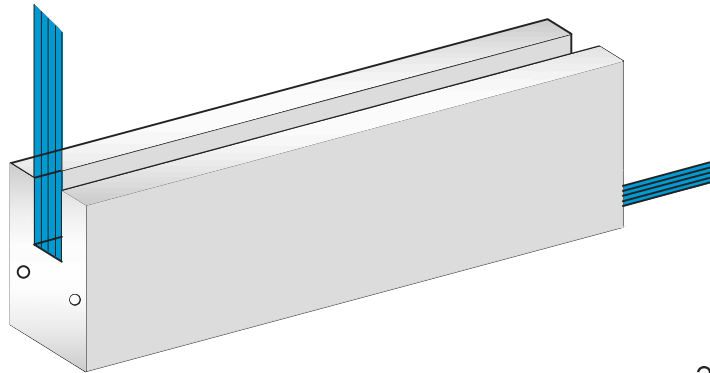
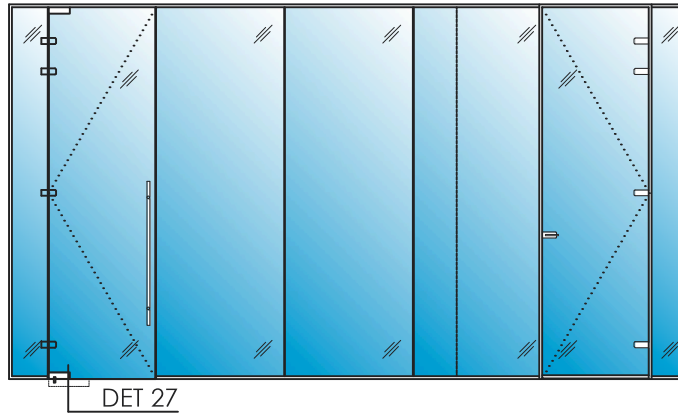


Solare™

Acoustic Single Glazed Partition System

Bottom Center Hung Patch Fitting

All Glass Openings



Hardware Characteristics

Maximum Door Width: 42"

Maximum Door Height: 102"

Maximum Door Weight: 194 lbs

Finishes Available: Aluminum silver anodized (101), Aluminum similar satin stainless steel (107), Brass polished chrome (501), Brass polished (503)



200 Pemberwick Road
Greenwich, CT 06831

T: (877) 282-6843
F: (914) 934-5992
W: www.avantisystemsusa.com
E: sales@avantisystemsusa.com