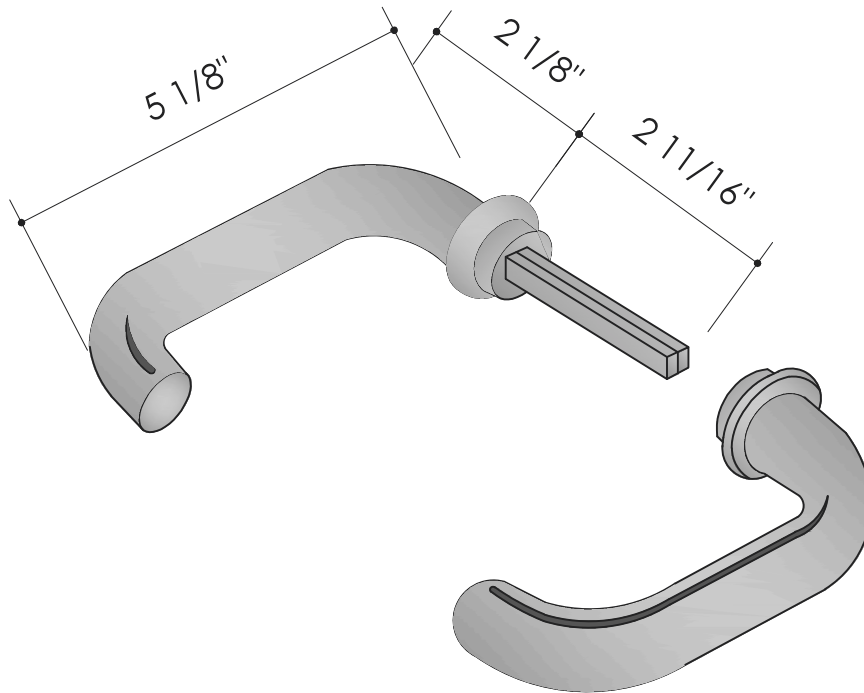
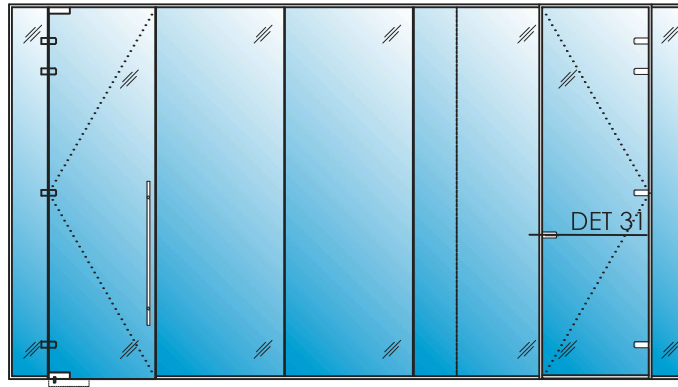


Solare™ Acoustic Single Glazed Partition System Lever Handle



Solare™ Acoustic Single Glazed Partition System Characteristics

Maximum Glazing Panel Width: 60" max. (custom widths available upon request)

Maximum Glazing Panel Height: Full height up to 12 feet

Glazing Available: 3/8" Clear tempered, 7/16" Clear laminated, 1/2" Clear tempered, 9/16" Clear laminated, Lunar™ Smart Glass privacy glazing, 3/4" glazing is available

Available Glazing Types: Clear Tempered, Low Iron, Laminated, Lunar Smart Glass™

Door Width: 38" max. (custom larger widths available upon request)

Standard Finishes Available: 611, 615, 810 and 812

STC Rating: 35



200 Pemberwick Road
Greenwich, CT 06831

T: (877) 282-6843
F: (914) 934-5992
W: www.avantisystemsusa.com
E: sales@avantisystemsusa.com