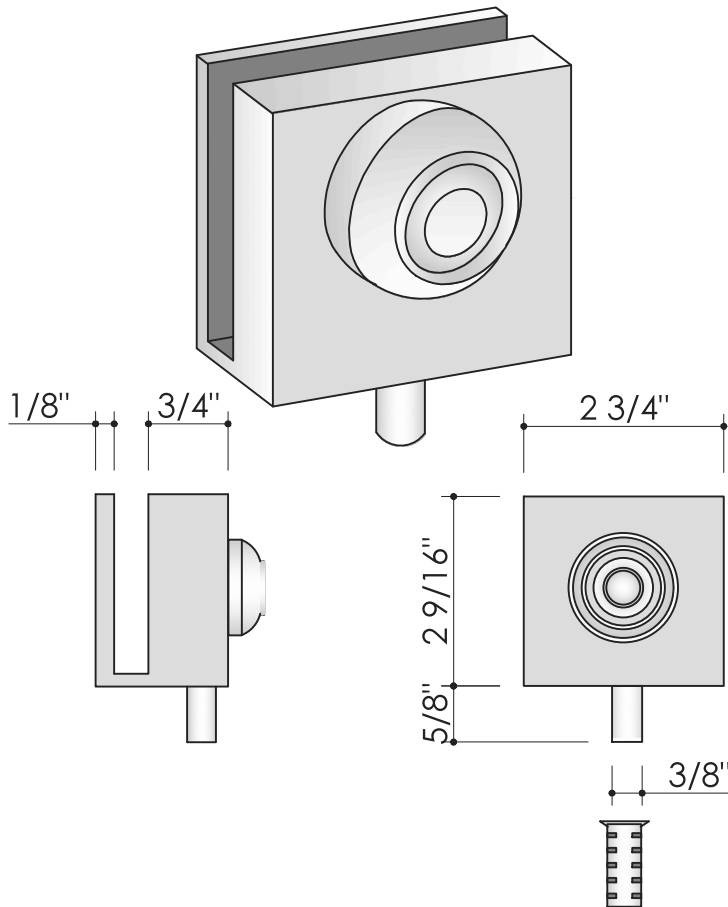
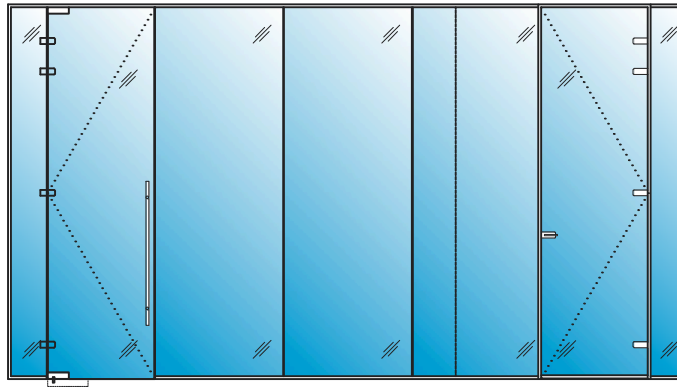


Solare™  
Acoustic Single Glazed Partition System  
Deluxe Slip-On Lock



Solare™ Acoustic Single Glazed Partition System Characteristics  
 Maximum Glazing Panel Width: 60" max. (custom widths available upon request)  
 Maximum Glazing Panel Height: Full height up to 12 feet  
 Glazing Available: 3/8" Clear tempered, 7/16" Clear laminated, 1/2" Clear tempered, 9/16" Clear laminated, Lunar™ Smart Glass privacy glazing, 3/4" glazing is available  
 Available Glazing Types: Clear Tempered, Low Iron, Laminated, Lunar Smart Glass™  
 Door Width: 38" max. (custom larger widths available upon request)  
 Material: Stainless Steel; ASTM A276, Type 304  
 STC Rating: 35