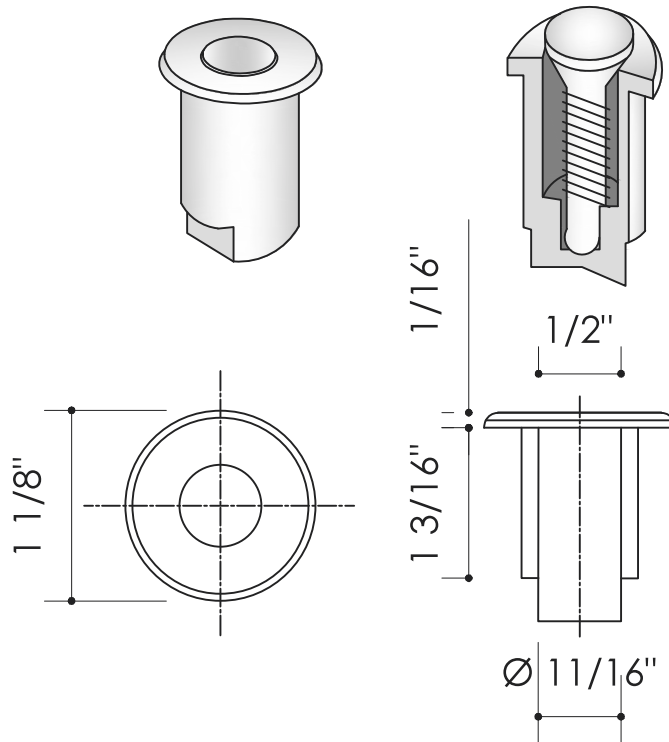
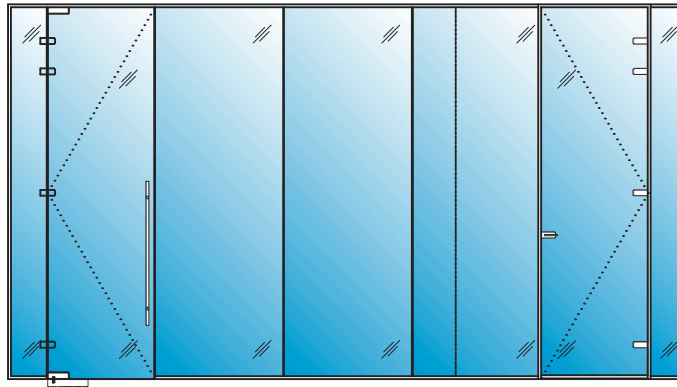


Solare™ Acoustic Single Glazed Partition System Dust Proof Keeper



Solare™ Acoustic Single Glazed Partition System Characteristics
 Maximum Glazing Panel Width: 60' max. (custom widths available upon request)
 Maximum Glazing Panel Height: Full height up to 12 feet

Glazing Available: 3/8" Clear tempered, 7/16" Clear laminated, 1/2" Clear tempered, 9/16" Clear laminated, Lunar™ Smart Glass privacy glazing, 3/4" glazing is available
 Available Glazing Types: Clear Tempered, Low Iron, Laminated, Lunar Smart Glass™

STC Rating: 35
 Material: Stainless Steel; ASTM A276, Type 304.