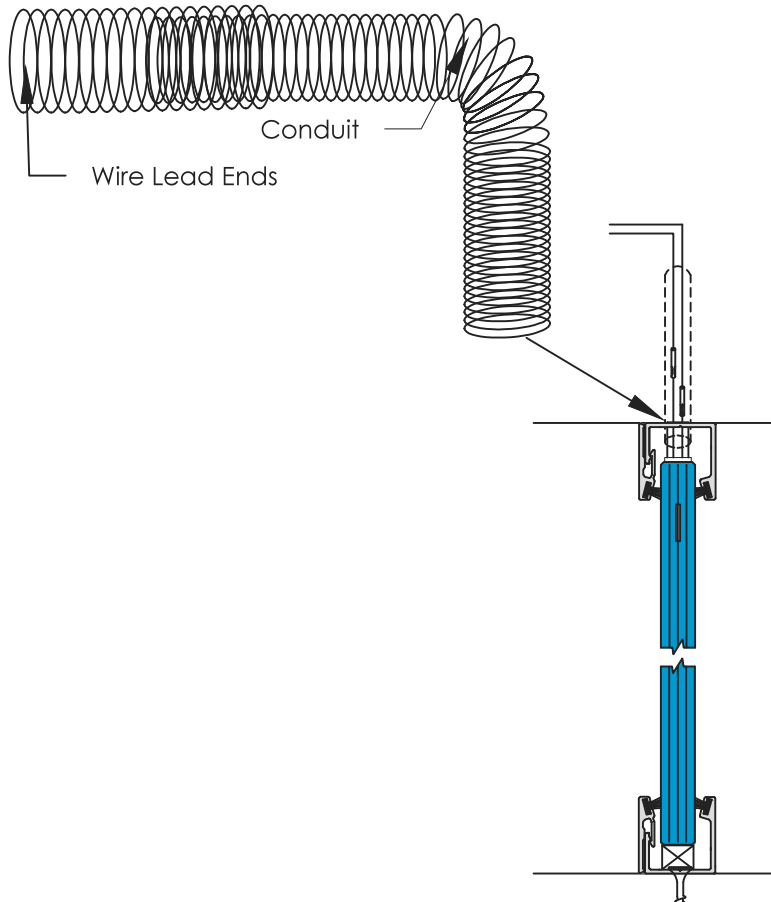
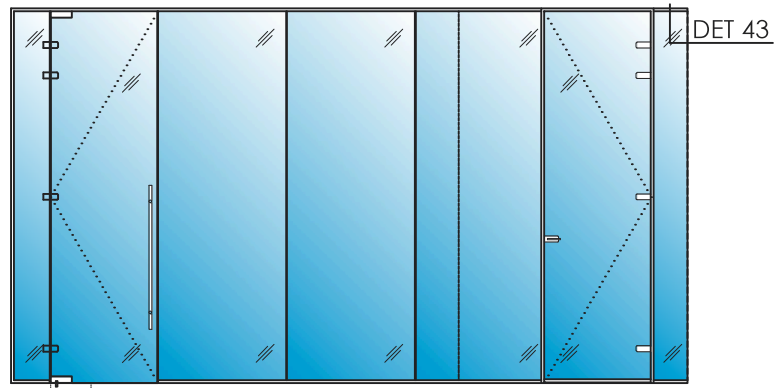


Solare™

Acoustic Single Glazed Partition System

Lunar™ Smart Glass Single Glazed Panel with Leads



Solare™ Acoustic Single Glazed Partition System Lunar™ Smart Glass Characteristics
Each switchable glass panel is controlled separately by single/ 3 way switches
Maximum Glazing Panel Height: Full height up to 12 feet
Maximum Glazing Panel Width: 4 feet
UL Listed Building Wire to be connected to Junction Box/ Power Supply (110VAC/ 60 Hz)

Laminated Glass/ Polymer Dispersed Liquid Crystal Film (PDLC) panel is rated 'ANSI Z97.1 Class A', all edges EXCEPT for Busbar Edge (top edge of glass panel) which is flat polished.
Standard Colors Available: Neutral, Grey, Green, Bronze and Blue



200 Pemberwick Road
Greenwich, CT 06831

T: (877) 282-6843
F: (914) 934-5992
W: www.avantisystemsusa.com
E: sales@avantisystemsusa.com