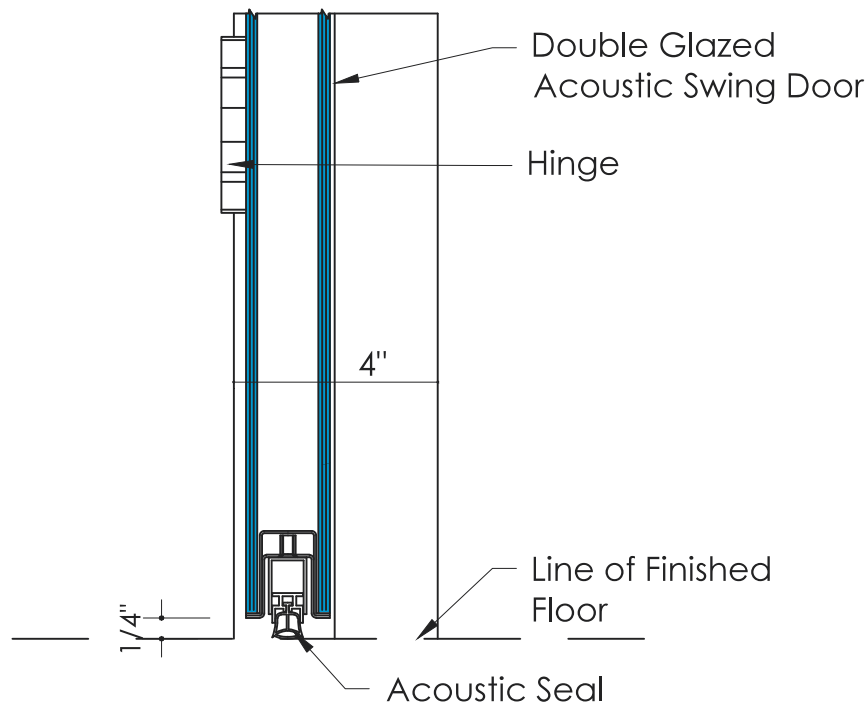
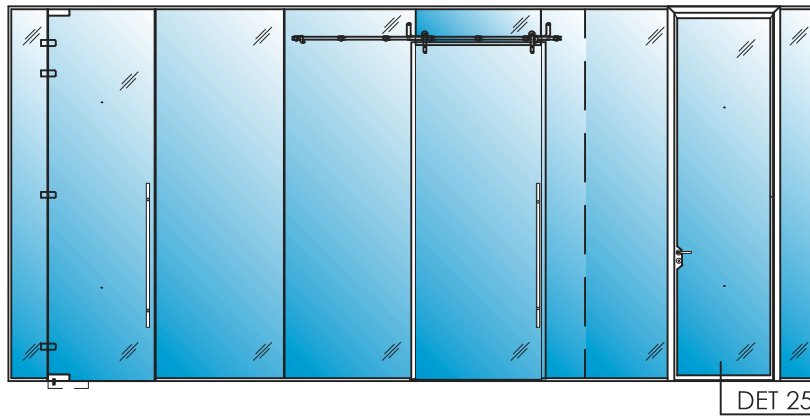


Solare™

Acoustic Double Glazed Partition System

Drop Down Door Seal



Solare™ Acoustic Double Glazed Partition System Characteristics

Maximum Glazing Panel Width: 60" max. (custom widths available upon request)

Maximum Glazing Panel Height: Full height up to 12 feet

Glazing Available: 3/8" Clear tempered, 7/16" Clear laminated, 1/2" Clear tempered, 9/16" Clear laminated, Lunar™ Smart Glass privacy glazing, 3/4" glazing is available

Door Width: Up to 38" standard (custom larger widths available upon request)

Standard Finishes Available: Anodized Aluminum, Stainless Steel Matt Anodized

STC Rating: 44



200 Pemberwick Road
Greenwich, CT 06831

T: (877) 282-6843
F: (914) 934-5992
W: www.avantisystemsusa.com
E: sales@avantisystemsusa.com