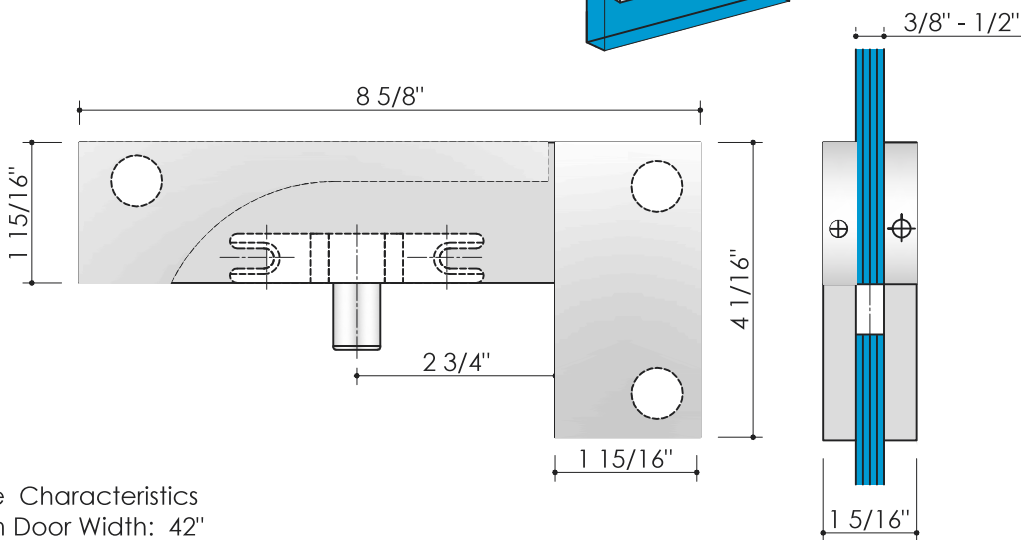
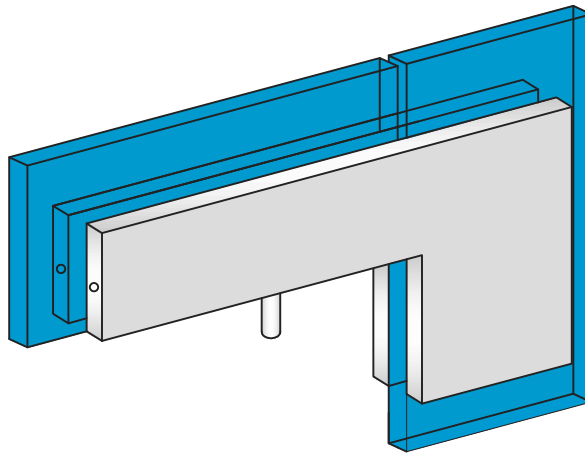
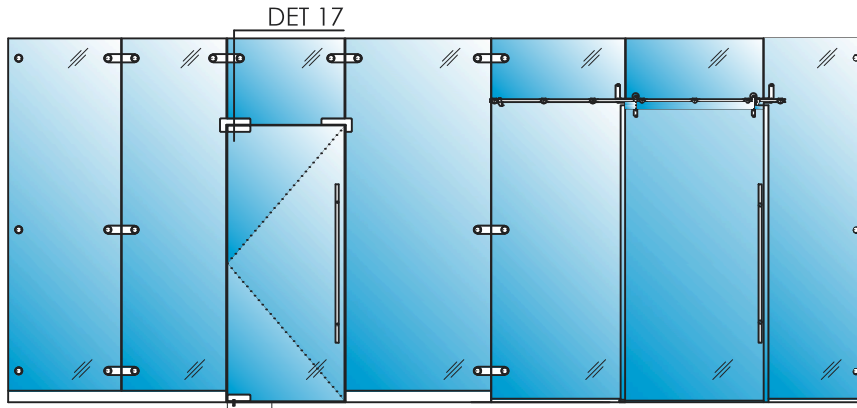


Elite™ Free Standing Partition System

Transom Patch Fitting with Pivot



Hardware Characteristics
 Maximum Door Width: 42"
 Maximum Door Height: 102"
 Maximum Door Weight: 194 lbs

Finishes Available: Aluminum silver anodized (101), Aluminum similar satin stainless steel (107), Brass polished chrome (501), Brass polished (503)



200 Pemberwick Road
 Greenwich, CT 06831

T: (877) 282-6843
 F: (914) 934-5992
 W: www.avantisystemsusa.com
 E: sales@avantisystemsusa.com