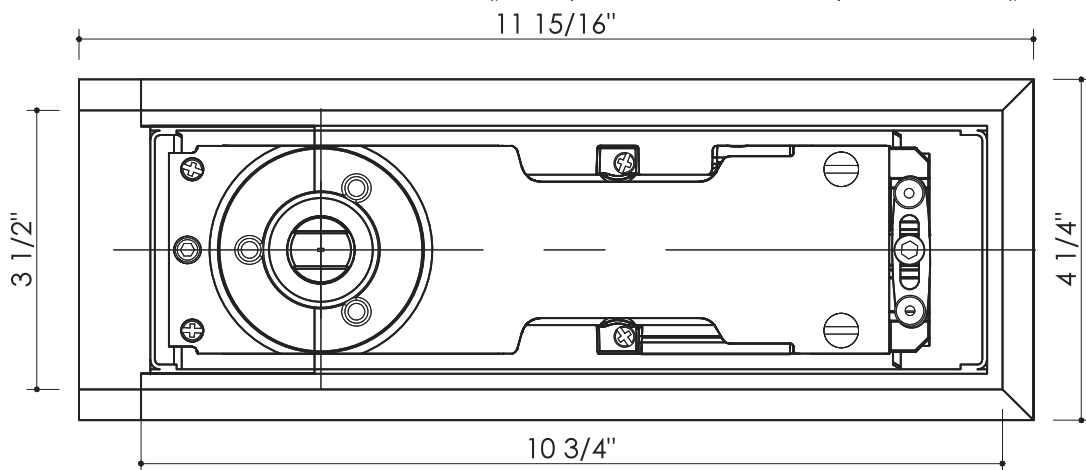
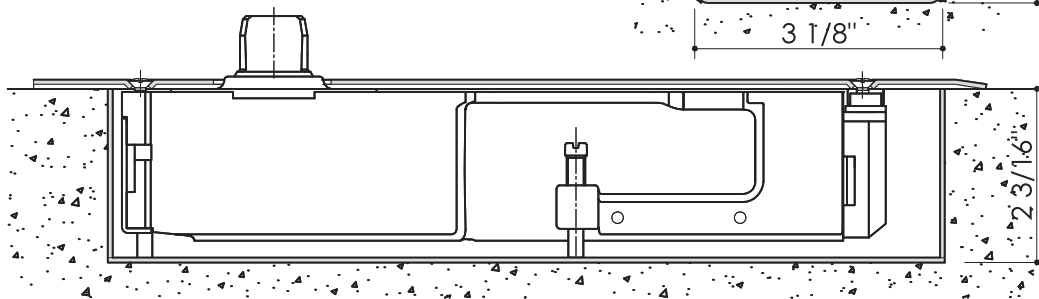
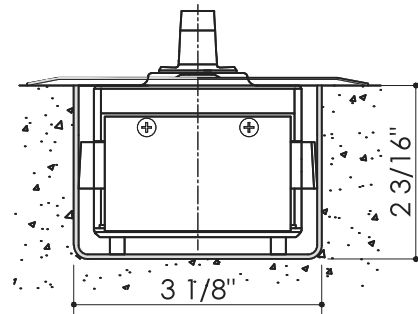
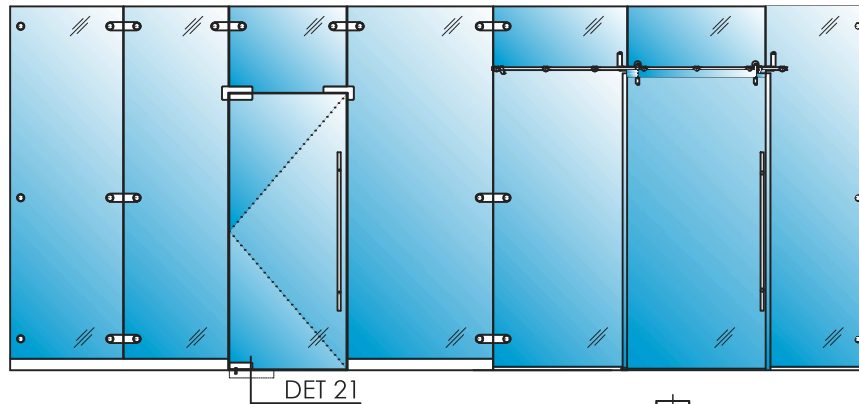


Elite™ Free Standing Partition System

Floor Recessed Door Closer



Hardware Characteristics
Maximum Door Width: 40" max.
Maximum Door Weight: 260 lbs
Constant Hold Open is not available

Accessibility Requirements (Pull Strength) is available upon request.



200 Pemberwick Road
Greenwich, CT 06831

T: (877) 282-6843
F: (914) 934-5992
W: www.avantisystemsusa.com
E: sales@avantisystemsusa.com