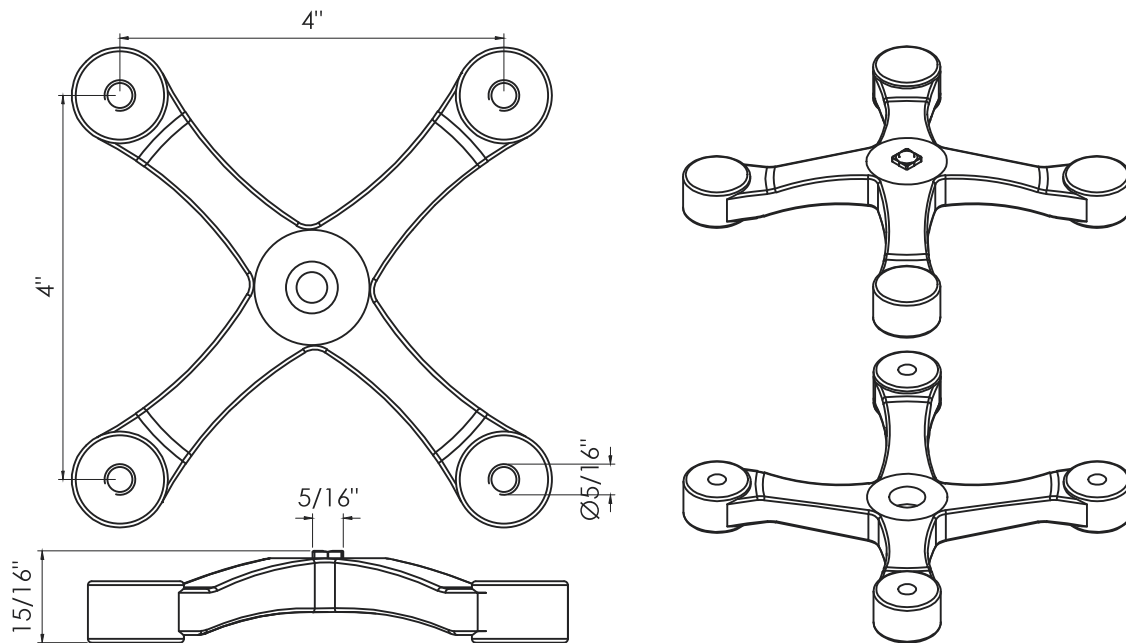
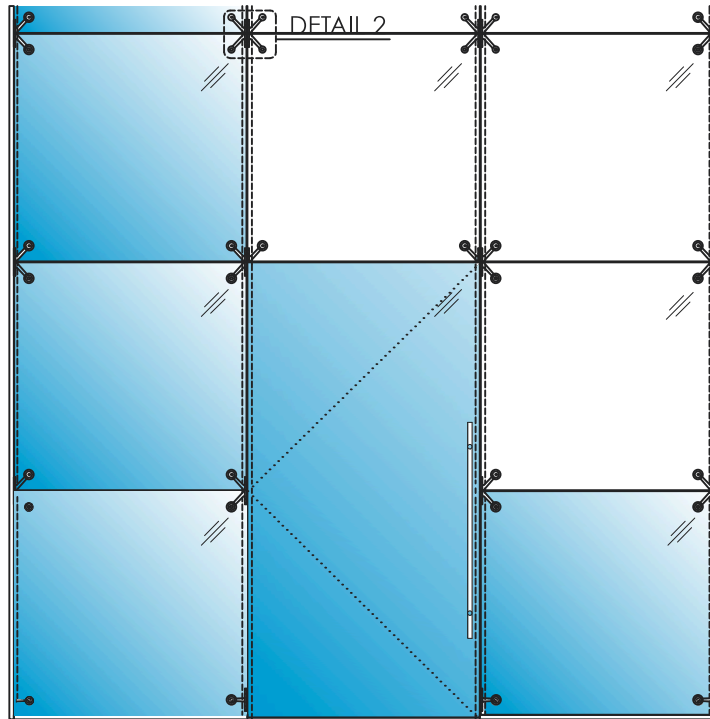


Elevare™

Mullion High Wall System 4 Leg Spider Fitting



Elevare™ Mullion High Wall System Characteristics:

Maximum Panel Height: 30'-0"

Maximum Panel Width: 48"

Maximum Weight Supported per Arm: 110 lbs

Fittings at the perimeter are anchored to the perimeter



200 Pemberwick Road
Greenwich, CT 06831

T: (877) 282-6843
F: (914) 934-5992
W: www.avantisystemsusa.com
E: sales@avantisystemsusa.com