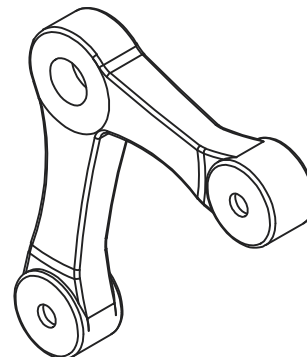
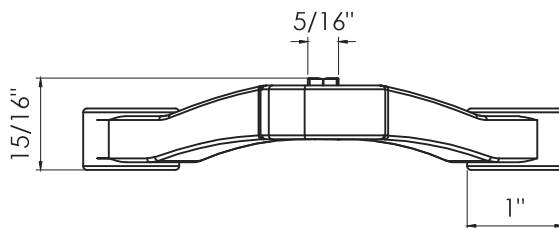
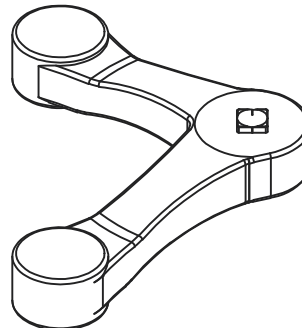
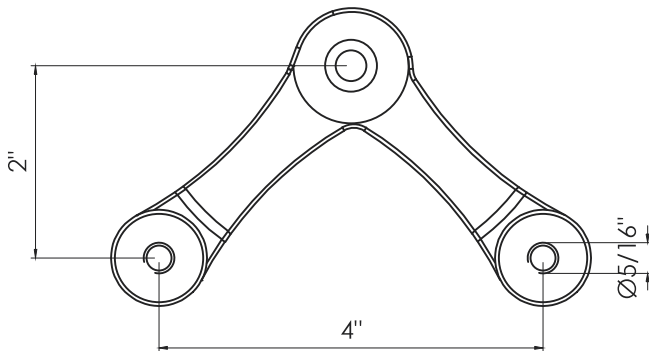
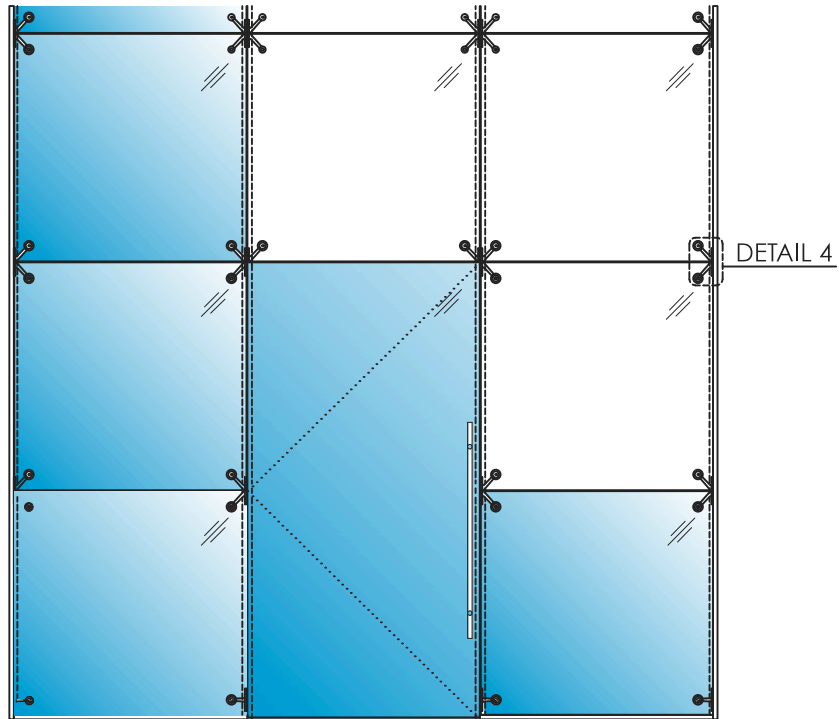


Elevare™

# Mullion High Wall System 2 Leg Spider Fitting



Elevare™ Mullion High Wall System Characteristics:  
Maximum Panel Height: 30'-0"  
Maximum Panel Width: 48"  
Maximum Weight Supported per Arm: 110 lbs

Fittings at the perimeter are anchored to the perimeter