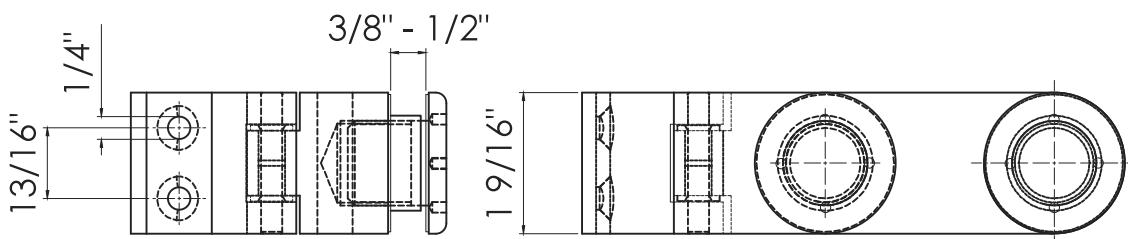
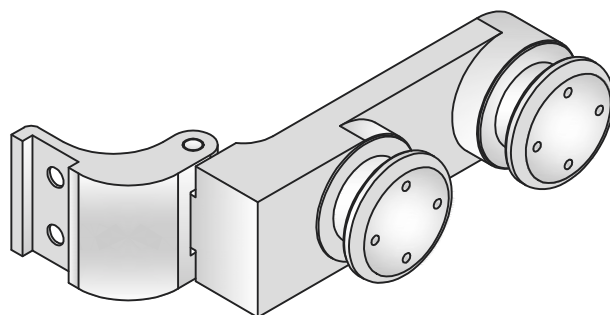
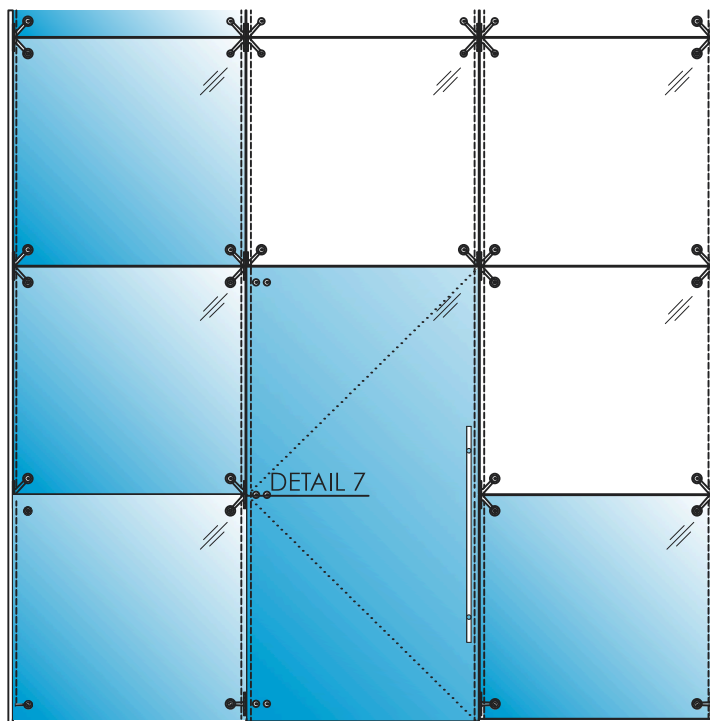


Elevare™ Mullion High Wall System Hinge



Elevare™ Mullion High Wall System Characteristics:

Maximum Panel Height: 30'-0"

Maximum Panel Width: 48"

Maximum Weight Supported per Arm: 110 lbs

Fitting at the perimeter are anchored to the perimeter